

Oct. 2013

Dear Pisco Customers

Nihon Pisco Co., Ltd.

Introducing New Color Cap Release of new series and termination of existing series

We are pleased to inform you the release of new Color Cap which reinforced customer-friendly aspects and can fit on our all tube fitting series. Along with this new series release, we will terminate production of existing color cap series (CAP series) and also terminate sales of them as shown below.

1. New release : Color cap CAPH series

Model type : Color cap CAPH series **Release date : Oct. 9, 2013**

Model designation: CAPH[-][-] (Example) CAPH6-Y

Size: [Standard type] φ4, φ6, φ8, φ10, φ12, φ16 [Mini type] φ4, φ6

Color: B(Black)·R(Red)·O(Orange)·YB(Ocher)·Y(Yellow)·G(Green)·BU(Blue)·CB(Clear Blue)·GR(Gray)·W(White)

Features: Color cap new series can fit on push-in fittings whose release rings sit next to next such as PY types.

2. Termination of production and sales

Model type : CAP series **Sales termination date : Mar. 31, 2014**

Model designation: CAP[-][-] (Example) CAP6-Y




Existing series (CAP) are interchangeable with new series (CAPH).

*As soon as the stock of conventional series is run out, shipment of new series will start even before sales termination date.

3. Notes

- There is no change in product design of φ16, but the model type for model designation is changed.
- Color lock cap (CAPL series) will be continuously sold.

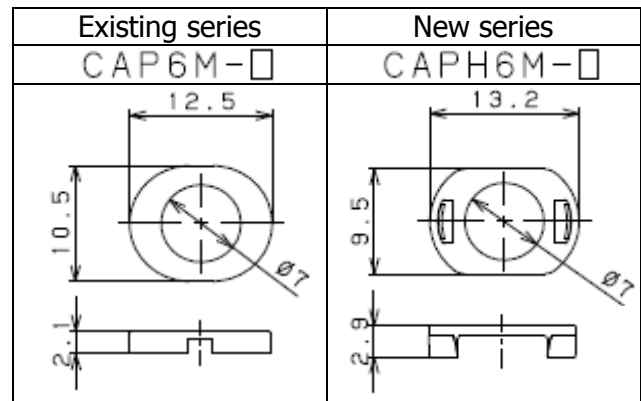
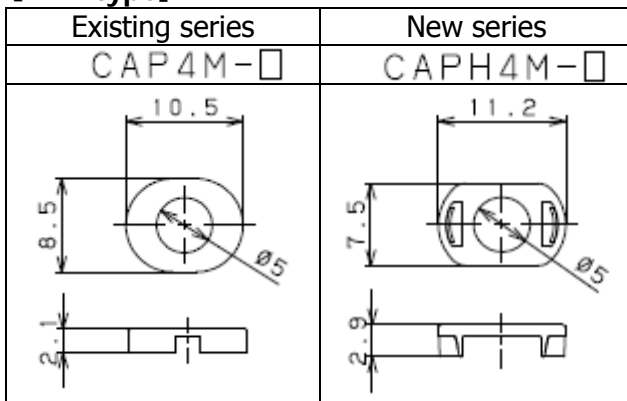
4. Comparison between existing series (CAP) and new series (CAPH).

Existing series (CAP)	New series (CAPH)	
[Mini type] 	[Standard type] 	[Mini type] 

Note: Feel free to ask any questions about outer dimension and others to Pisco.

Outer dimension comparison

[Mini type]



[Standard type]

