

To: Distributers  
Attn: To Whom It May Concern  
Date: July. 8, 2016

We highly appreciate your daily sales activities and cooperation to PISCO.

**Information about Appearance & Dimension Change on Standard Tube Fitting, Tube Fitting  
Stainless SUS 304 and Tube Fitting Stainless SUS303 Equivalent Corrosivity Series.**

This is to inform you that we are going to carry out the following design changes on selected models of Standard Tube Fitting, Tube Fitting Stainless SUS 304 series and Tube Fitting Stainless SUS303 Equivalent Corrosivity Series, due to the die change.

We apologize for the inconvenience being caused by this change in advance and ask for your kind understanding and cooperation.

Sincerely Yours,

1. Subject models

Type: Branch Union Elbow, Tripod Union, Unequal Double Y and Plug-in Double Y.

【Tube Fitting】

Type: PAU, PVU, PRG, PRJ

【Tube Fitting SUS304】

Type: PAU□SUS, PVU□SUS, PRG□SUS

【Tube Fitting Stainless SUS303 Equivalent Corrosivity】

Type: SPAU、SPVU、SPRG

2. Changes

- 1) Change in attachment hole height.
- 2) Change in dimension between each fitting.
- 3) Change in fitting length
- 4) Change in tube insertion length and body diameter etc.

Please refer to attached "Appearance dimensions comparison" for the details of the dimension.

\*CAD date will be available from July 2016.

3. Date of implementation

These changes shall be implemented sequentially from August 1, 2016.

Please make inquiries to your nearest sales office.

### Appearance dimensions comparison

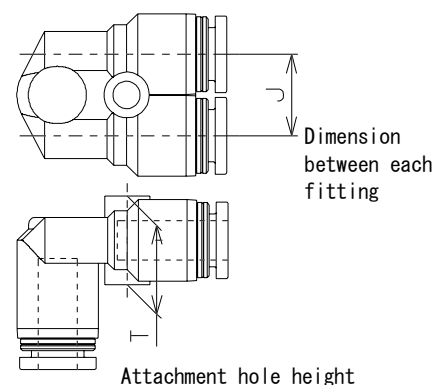
It includes special made models like -C (Clean-room Package), W (Light-gray Specification), W-C (Light-gray Specification & Clean-room package), -UC (Clean-wash & Clean-room Package) and -D(Oil-free specification).

#### [Branch Union Elbow]:

Change in attachment hole height and dimension between each fitting

Model code	Change	J	T
PAU4(5/32) PAU4SUS SPAU4	old	11	10
	new	10.3	10.4
PAU6(3/16, 1/4) PAU6SUS SPAU6	old	12	12.5
	new	12.5	13.5
PAU8(5/16) PAU8SUS SPAU8	old	14	14.5
	new	14.5	15.6

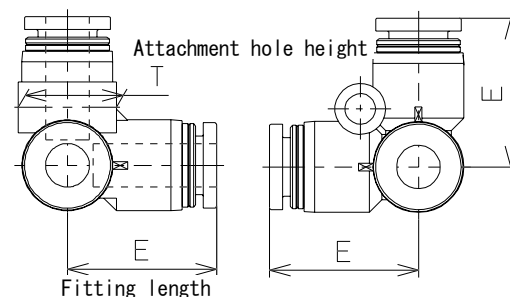
Model code	Change	J	T
PAU10(3/8) PAU10SUS SPAU10	old	18	17.5
	new	17.5	18.2
PAU12(1/2) PAU12SUS SPAU12	old	20	21
	new	21	21.7



#### [Tripod Union]: Change in attachment hole height and fitting length

Model code	Change	E	T
PVU4(5/32) SPVU4	old	16.9	10
	new	17.8	10.4
PVU6(1/4) SPVU6	old	20.1	12.5
	new	20.5	13.5
PVU8(5/16) SPVU8	old	22.1	14.5
	new	22.7	15.6
PVU10(3/8) SPVU10	old	26.2	17.5
	new	26.2	18.2
PVU12 SPVU12	old	29.4	21
	new	30.2	21.7
PVU3/16	old	20.5	12.5
	new	20.9	13.5
PVU1/2	old	29.7	21
	new	30.5	21.7

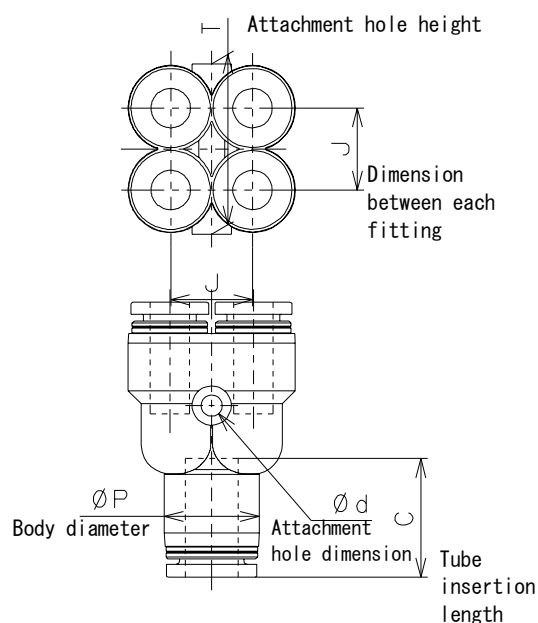
Model code	Change	E	T
PVU4SUS	old	17	10
	new	17.9	10.4
PVU6SUS	old	20.2	12.5
	new	20.7	13.5
PVU8SUS	old	22.1	14.5
	new	22.7	15.6
PVU10SUS	old	26.4	17.5
	new	26.4	18.2
PVU12SUS	old	29.6	21
	new	30.4	21.7



#### [Unequal Double Y]:

Change in attachment hole height, dimension between each fitting, attachment hole dimension, tube insertion length, and body diameter.

Model code	Change	$\phi P$	C	J	$\phi d$	T
PRG6-4 (1/4-5/32) SPRG6-4	old	13	17	10	3.2	20.5
	new	12.5	17	10.3	3.2	21.3
PRG6-4SUS	old	13	17.1	10	3.2	20.5
	new	12.5	17.1	10.3	3.2	21.3
PRG8-6 PRG8-6SUS SPRG8-6	old	14	18.2	13	3.5	26
	new	14.5	18.1	12.5	3.2	26
PRG3/16-5/32	old	13	17.4	10	3.2	20.5
	new	12.5	17.4	10.3	3.2	21.3
PRG5/16-1/4	old	14	18.7	13	3.5	26
	new	14.5	18.1	12.5	3.2	26



[Plug-in Double Y]:

Change in attachment hole height and dimension between each fitting, attachment hole dimension, body diameter and Overall length

Model code	Change	$\phi P$	C	J	$\phi d$	T
PRJ6-4	old	55.3	10	13	3.2	20.5
	new	55	10.3	12.5	3.2	21.3
PRJ8-6	old	60.8	13	14	3.5	26
	new	60.8	12.5	14.5	3.2	26

