

Mechanical Vacuum Switch

- *Vacuum switch with a tubing connection.*
- *Compact body, light weight 1 oz. (29g).*
- *Easy to install, normally open and normally closed.*
- *Easy to adjust.*

Vacuum Accessories Series

Mechanical Vacuum Switch

Model Designation of Mechanical Vacuum Switch

VUSM10 - **1/4**

Mechanical Vacuum Switch

① Pressure port (Negative pressure)

① Pressure port (Negative pressure)

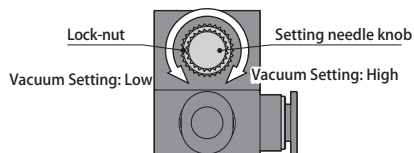
Code	5/32	1/4	4	6
Tube dia.	ø3.97	1/4" O.D. (ø6.35)	ø4mm	ø6mm

Specification of Box Union Switch Type VB and Mechanical Vacuum Switch Type VUSM

Pressure detection	Diaphragm to Micro switch
Fluid medium	Air
Operating temp. range	32 ~ 140°F (0 ~ 60°C) (No freezing)
Micro switch rating	3A 250V
Pressure setting range	-5.9inHg ~ -19.5inHg (-20 ~ -66kPa)
Accuracy	±1.5 inHg (±5kPa)
Differential response	6.5 inHg (22kPa)
Factory default pressure	-15.7 inHg (-53kPa)
Lead wire	Length: About 11.8" (300mm) White: Common, Red: Normally closed, Black: Normally open

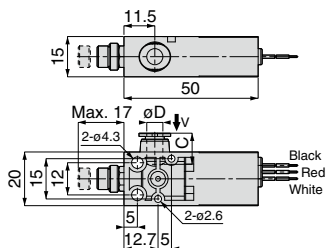
How to adjust the vacuum level

As the knob is turned clockwise, the vacuum setting is higher, as turned counter-clockwise the setting is lower. Make sure to tighten the lock-nut to secure the setting.



VUSM Mechanical Vacuum Switch

RoHS compliant



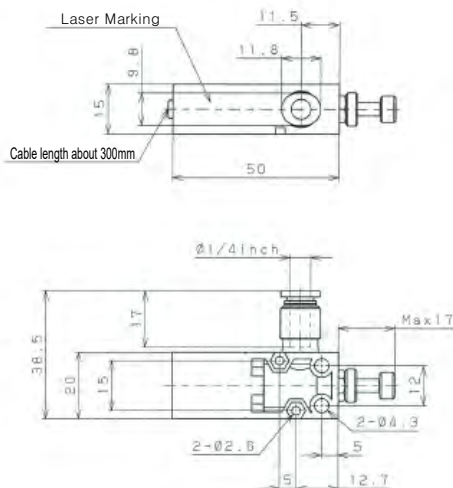
Unit : mm

Model code	Tube O.D. ϕD	C	Weight (g)	CAD file name
VUSM10-5/32	5/32"	11	29	N/A
VUSM10-1/4	1/4"	17	36	N/A
VUSM10-4	4	11	29	VUSM10-4
VUSM10-6	6	11.6	29	VUSM10-6

※ Lead wire White: Common
Red: Normally closed
Black: Normally open

VUSM10-1/4

Unit : mm



Detailed Safety Instructions

Before using PISCO products, be sure to read "Safety Instructions" and "Safety Instruction Manual" and "Common Safety Instructions for Tubes".



Common Safety Instructions for Mechanical Vacuum Switch

Warning

1. Do not use mechanical vacuum switch in the environment of inflammable or explosive gas / fluid. Since the products are not explosive-proof structure, use in such environment may cause a fire or an explosion.
2. Keep a mechanical vacuum switch away from water, oil drops or dusts which may cause malfunction. The product is not drip-proof nor dust-proof structure.
3. Applying 0.5 MPa instantaneously to a mechanical vacuum switch does not affect on its performance, but do not apply more than 0.2 MPa as blow-off air pressure constantly. It may cause damage to the switch.
4. Use a vacuum switch within the described pressure setting range in the specifications. There is a risk of misactuation by a hysteresis when the products are operated with the pressure beyond the range.
5. Make sure to turn off the power supply before wiring mechanical vacuum switch. Pay special attention to lead wire colors to prevent a incorrect wiring.
6. Avoid excessive pulling, twisting, bending force on the wire, which may cause an open circuit.