

Stainless Steel Reservoir Tanks

Reduce a vacuum pressure fluctuation and pulsation

PISCO



CE

Air Tank

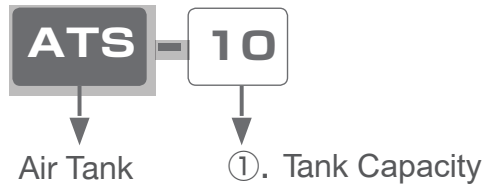
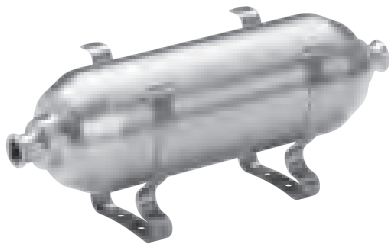
- Reducing the air and vacuum pressure fluctuations and pulsations.
- Tank capacity is selectable from 6 variations.

Tank capacity	0.42 qt.	0.79 qt.	0.53 gal.	1.32 gal.	2.64 gal.	5.28 gal.
(Liter)	0.4ℓ	0.75ℓ	2ℓ	5ℓ	10ℓ	20ℓ

- The tank is made of stainless steel.
Tank capacity 0.1 ~ 2.6 gallons (0.4 ~ 10ℓ) : SUS304 equivalent.
5.3 gallons (20ℓ) : SUS321 equivalent.
- Environment-friendly products.
Corresponding to RoHS directive.

Air Tank

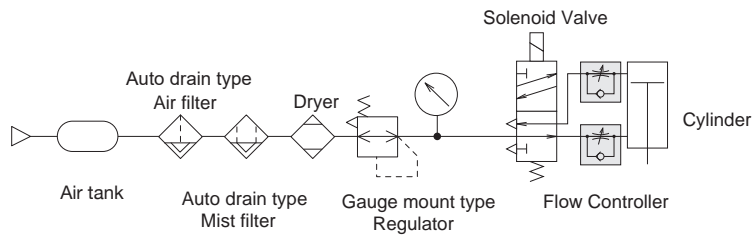
Model Designation (Example)



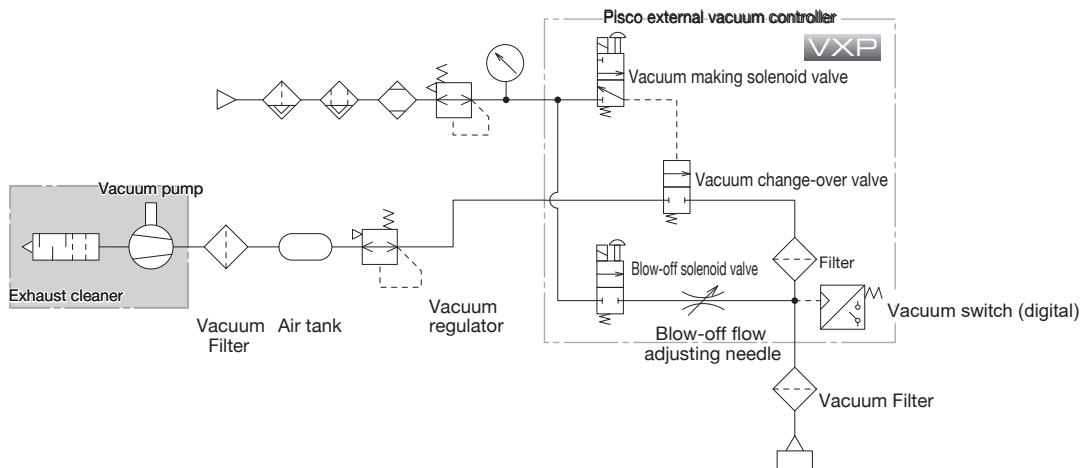
①. Tank Capacity

Code	0.4	0.75	2	5	10	20
Capacity (gallons)	0.11	0.2	0.53	1.32	2.64	5.28
Capacity (ℓ)	0.4	0.75	2	5	10	20

Example connecting to a compressed air system



Example connecting to a vacuum pump system



Specification

Type	ATS-0.4	ATS-0.75	ATS-2	ATS-5	ATS-10	ATS-20
Material	SUS304 equivalent					SUS321 equivalent
Port size	Connection port		G1/4	G1/2	G1	
	Drain port		—		G3/8	
Tank capacity (ℓ)	0.42 qt. (0.4)	0.79 qt. (0.75)	0.53 gal. (2)	1.32 gal. (5)	2.64 gal. (10)	5.28 gal. (20)
Fluid medium	Compressed air (vacuum) or nitrogen					
Operating pressure range (MPa)	-29.8 inHg to 145psi (-0.103~0.99)					
Mounting orientation	—			Drain port faces downward		
Temp. range (※1)	Environment [°C]		14 ~ 212°F [-10~100]			
	Fluid [°C]		14 ~ 212°F [-10~100]			
Weight [kg] (※2)	1.19 lbs. [0.54]	1.63 lbs. [0.74]	3.70 lbs. [1.68]	7.89 lbs. [3.58]	14.24 lbs. [6.46]	22.5 lbs. [10.21]

※1. The temperature range is for tank itself without fitting.

※2. The Weight is for tank itself without plug and fitting.

Detailed Safety Instruction

⚠ Warnings

- Pressure and fluid medium
 - Using the tank exceeding the operating pressure range causes damage to it. Take a preventive measure not to exceed the range using a pressure sensor or other devices.
 - Do not use a fluid medium other than the specification, otherwise it may cause deterioration, damage, and other problems of the tank.
- Safety and inspection
 - Confirm zero pressure inside the system and stop the supplying air before carrying out inspection or maintenance.
 - Unexpected accident may occur by an external damage or internal corrosion by drain. Periodically check outer breakage or damage and the internal corrosion status, or thickness reducing condition by using a thickness meter.
 - When drain accumulates in the tank, it causes internal corrosion or outflow of the drain into pipe. Set the drain discharging schedule according to the operational condition, and discharge the drain periodically.
- Installation and operation
 - Applying a load on a tank such as stretch, torsion, or bend, or giving excessive impact on the tank, or dropping of the tank shall be avoided, otherwise it may cause damage to the tank.

⚠ Cautions

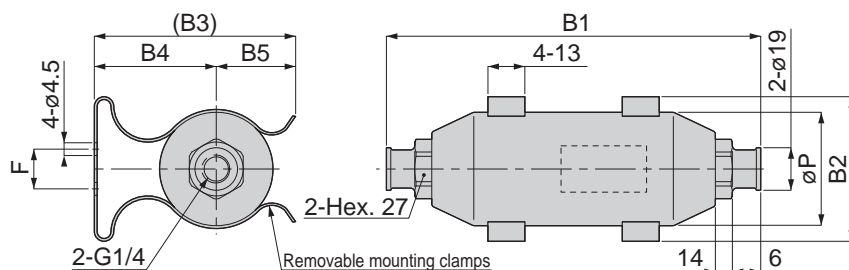
- Installation and operation
 - When using the tank in a clean environment, install a suitable filter for the operation between the tank and other pneumatic equipment.
 - Do not install the tank on a place of moving or having vibrations.
 - Be sure to install the product firmly with all through-holes at the welded retainer brackets or on the mounting clamps. (ATS-0.4 and -0.75 are installed by the mounting clamps.)
 - Depending on the types of the connecting fittings to the tank, they may interfere with the floor for the tank with 5 liters or more capacity. Install the tank so that the fittings are free.

Outline dimensional drawing

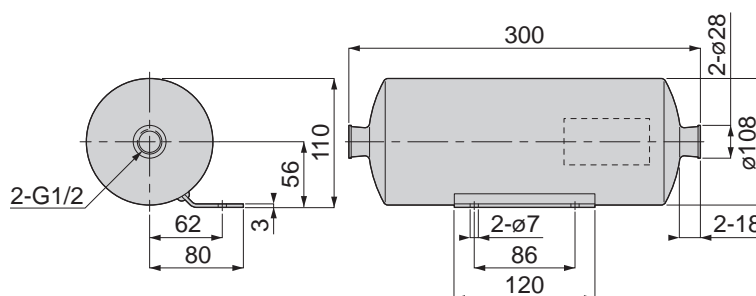
Unit : mm

Model type : **ATS-2**

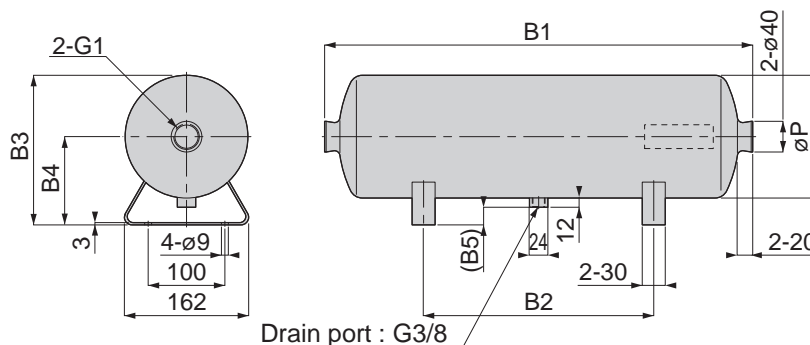
● Tank capacity : 0.4L ~ 0.75L



● Tank capacity : 2L



● Tank capacity : 5L ~ 20L



Unit : mm

Model	Tank capacity (L)	B1	B2	B3	B4	B5	φP	F	Weight (kg)
ATS-0.4	0.42 qt. (0.4)	240	54	84	50	34	52	14	1.19 lbs. (0.54)
ATS-0.75	0.79 qt. (0.75)	248	94	96	61	35	70	20	1.63 lbs. (0.74)
ATS-2	0.53 gal. (2)	—	—	—	—	—	—	—	3.70 lbs. (1.68)
ATS-5	1.32 gal. (5)	330	150	195	115	23	160	—	7.89 lbs. (3.58)
ATS-10	2.64 gal. (10)	558	300	195	115	23	160	—	14.24 lbs. (6.46)
ATS-20	5.28 gal. (20)	740	300	233	136	27	194	—	22.5 lbs. (10.21)

i Outline dimensional drawing of the optional parts

* Please refer to the next page.

Optional parts appearance dimensions

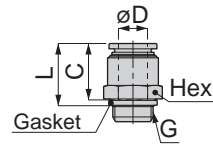
Straight type push-in fitting

● Connection port

Unit : mm

Applicable tank model	Model code	Tube O.D. øD	G	C	L	Hex.	WT. (g)	Price (\$)
ATS-0.4	PC6-G2	6	G1/4A	16.4	17	17	18	2.50
	PC8-G2	8 (5/16")		17.1	18.2		16	2.85
	PC10-G2	10		24.1	20.7		22	2.95
ATS-0.75	PC12-G2	12		29.3	23.3	21	51	3.90
ATS-2	PC10-G4	10	G1/2A	19.2	20.7	23.8	51	4.70
ATS-5	PC12-G4	12		21.2	23.3		46	4.90
ATS-10	PC16-G4	16 (5/8")		28.5	24.8		53	8.90
ATS-20	PC16-G4	16 (5/8")						

※ Use the conversion adapter together with the above fitting of G1/2A thread for the ports of ATS-5, ATS-10, and ATS-20.



● Drain port

Unit : mm

Model code	Tube O.D. øD	G	C	L	Hex.	WT. (g)	Price (\$)
PC8-G3	8 (5/16")	G3/8A	15.8	18.2	19	24	3.00
PC10-G3	10		19.6	20.7		25	3.35
PC12-G3	12		25.7	23.3	21	38	3.90
PC16-G3	16 (5/8")		31.5	24.8	22	49	8.70

※ Drain port is only equipped on the tank ATS-5, ATS-10, & ATS-20

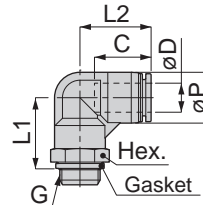
Elbow type push-in fitting

● Connection port

Unit : mm

Applicable tank model	Model code	Tube O.D. øD	G	C	L1	L2	øP	Hex.	WT. (g)	Price (\$)
ATS-0.4	PL6-G2	6	G1/4A	16.8	19.9	19.8	12.5	17	24	3.60
	PL8-G2	8 (5/16")		18.1	22.9	22.7	14.5		26	4.10
ATS-0.75	PL10-G2	10		20.2	26.9	26.2	17.5		32	4.85
	PL12-G2	12	23.4	28.9	29.4	21	21	51	5.90	
ATS-2	PL10-G4	10	G1/2A	20.2	29.4	26.2	17.5	23.8	69	6.70
ATS-5	PL12-G4	12		23.4	31.4	29.4	21		70	7.20
ATS-10	PL16-G4	16 (5/8")		24.1	38.4	33.1	25		76	13.40
ATS-20	PL16-G4	16 (5/8")								

※ Use the conversion adapter together with the above fitting of G1/2A thread for the ports of ATS-5, ATS-10, and ATS-20.



● Drain port

Unit : mm

Model code	Tube O.D. øD	G	C	L1	L2	øP	Hex.	WT. (g)	Price (\$)
PL8-G3	8 (5/16")	G3/8A	18.1	23.4	22.7	14.5	19	39	4.20
PL10-G3	10		20.2	27.4	26.2	17.5		42	5.25
PL12-G3	12		23.4	29.4	29.4	21		21	45
PL16-G3	16 (5/8")		24.1	38.4	33.1	25	23.8	77	13.00

※ Drain port is only equipped on the tank ATS-5, ATS-10, & ATS-20

Straight type compression fitting

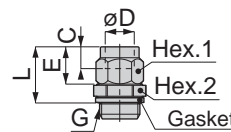
● Connection port

Unit : mm

Applicable tank model	Model code	øD (※1)	G	C	L	E	Hex.1	Hex.2	WT. (g)	Price (\$)					
ATS-0.4	NBC1065-G2	10×6.5	G1/4A	9	21.1	14.8	16	17	34	4.40					
	NBC1075-G2	10×7.5													
ATS-0.75	NBC1280-G2	12×8									21.7	15.4	17	36	4.50
	NBC1290-G2	12×9													
ATS-2	NBC1065-G4	10×6.5	G1/2A	9	23.6	14.8	16	24	58	6.80					
	NBC1075-G4	10×7.5													
ATS-5	NBC1280-G4	12×8									24.2	15.4	17	59	6.90
ATS-10	NBC1290-G4	12×9													
ATS-20	NBC1611-G4	16×11	9.5	26	16.2	23			84	7.10					
	NBC1613-G4	16×13							83						

※1. Tube O.D × I.D

※2. Use the conversion adapter (page 92) together with the above fitting of G1/2A thread for the ports of ATS-5, ATS-10, and ATS-20.



● Drain port

Unit : mm

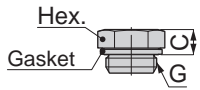
Model code	øD (※1)	G	C	L	E	Hex.1	Hex.2	WT. (g)	Price (\$)
NBC1065-G3	10×6.5	G3/8A	9	22.6	14.8	16	19	41	4.80
NBC1075-G3	10×7.5								
NBC1280-G3	12×8								
NBC1290-G3	12×9								
NBC1611-G3	16×11	9.5	26	16.2	23	24		78	6.90
NBC1613-G3	16×13							77	

※1. Tube O.D × I.D

※2. Drain port is only equipped on the tank ATS-5, ATS-10, & ATS-20

Air Tank

Plug



● Connection port

Unit : mm

Applicable tank model	Model code	G	C	Hex.	WT. (g)	Price (\$)
ATS-0.4, ATS-0.75	PP-G2	G1/4A	5.9	17	18	
ATS-2, ATS-5, ATS-10, ATS-20	PP-G4	G1/2A	10.4	24	59	4.60

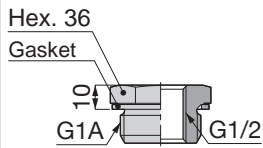
● Drain port

Unit : mm

Model code	G	C	Hex.	WT. (g)	Price (\$)
PP-G3	G3/8A	8.4	19	31	3.40

※ Drain port is only equipped on the tank ATS-5, ATS-10, & ATS-20

Conversion Adaptor



● Connection port

Unit : mm

Applicable tank model	Model code	WT. (g)	Price (\$)
ATS-5	PFG8-G4	110	
ATS-10			
ATS-20			

※ Use the conversion adaptor together with the fitting of G1/2A thread for the ports of ATS-5, ATS-10, and ATS-20.