

Miniature Pressure Gauge

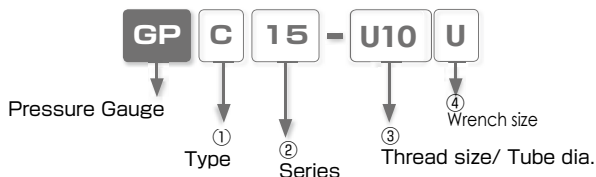


● *Compact Design.*

● *Connection type*

- ❖ *In-line*
- ❖ *Plug-in*
- ❖ *Panel-mount*
- ❖ *Threaded*

■ Model Designation (Example)



① Type

Code	Type	Code	Type	Code	Type	Code	Type
C	Threaded	U	Union Straight	M	Bulkhead	J	Plug-in

② Series

■ **Series 15** : 15 series (Gauge O.D. 15mm) - Specify this only for threaded type.

③ Thread size/ Tube dia. (*. Type: C (Taper Pipe Thread), U (Union Straight) only)

Thread size	Straight thread		Taper pipe thread				Tube dia.						
	Code	U10	M5	N1	N2	O1	O2	5/32	1/4	5/16	4	6	8
Size	10-32UNF	M5×0.8	1/8NPT	1/4NPT	R1/8	R1/4	φ5/32	φ1/4	φ5/16	φ4	φ6	φ8	
Type	Threaded – C		(R thread is same as BSPT)				Others – U, M, J (No inch size for plug-in type)						

④ Wrench size specification

U: inch spec. (NPT, UNF)

No Code : mm spec. (M, R thread)

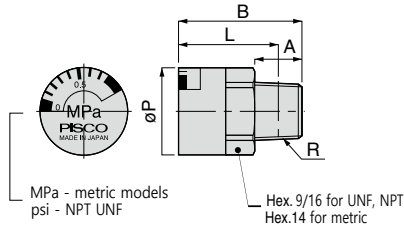
❖ "psi" read-out comes with NPT, UNF or Inch models while "MPa" comes with metric.

■ Specifications

Fluid medium	Air	
Indicated pressure range (gauge)	0~116psi (0 ~ 0.8MPa)	
Tolerance	± 5% (Full scale)	
Operating temp. range	32~140°F (0 ~ 60°C) (No freezing)	
Scale angle	150°	
Material	Cap	Acrylic resin
	Metallic body	Nickel-plated brass
	Resin body	PBT (Union Straight and Bulkhead)

GPC Threaded

RoHS compliant



Unified or Metric thread type

Unit : inch

Model code	R	A	B	L	ϕP	Weight (g)	CAD file name
GPC15-U10U	10-32UNF	0.14	0.65	0.51	0.59	6	N/A
GPC15-N1U	1/8NPT	0.31	0.83	0.67		8	
GPC15-N2U	1/4NPT	0.43	0.94	0.71		16.5	

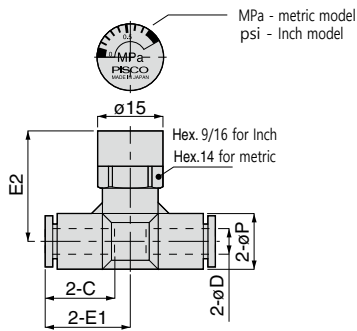
Unit : mm

Model code	R	A	B	L	ϕP	Weight (g)	CAD file name
GPC 15-M5	M5 × 0.8	3	16.5	13.5	15	6	CGP-001
GPC 15-01	R1/8	8	21	17		8	
GPC 15-02	R1/4	11	24	18		16.5	

※ . "L" are reference values for height dimensions after tightening taper thread.

GPU Union Straight

RoHS compliant



Unit : Inch

Model code	Tube O.D. ϕD	ϕP	Tube end C	E1	E2	Weight (g)	CAD file name
GPU5/32-5/32	5/32	0.39	0.59	0.67	0.96	12.5	N/A
GPU1/4-1/4	1/4	0.51	0.67	0.79	1.02	15.5	
GPU5/16-5/16	5/16	0.59	0.73	0.87	1.10	20	

Unit : mm

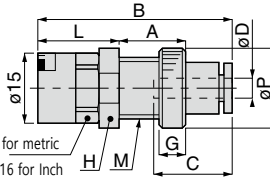
Model code	Tube O.D. ϕD	ϕP	Tube end C	E1	E2	Weight (g)	CAD file name
GPU 4-4	4	10	15	17	24.5	12.5	CGP-001
GPU 6-6	6	13	17	20	26	15.5	
GPU 8-8	8	15	18.5	22	28	20	

GPM Bulkhead

RoHS compliant



MPa - metric model
psi - Inch model



Unit : mm

Model code	Tube O.D. ϕD	M	A	B	L	ϕP	Tube end C	G	Hex. H	Weight (g)	CAD file name
GPM5/32	5/32	M12 × 1	16	39	17	16	15	5	14	12.5	N/A
GPM 1/4	1/4	M14 × 1	14	42.5	17	19	17	5	17	16	
GPM5/16	5/16	M16 × 1	17	45.5	18	22	18.5	6	19	21.5	

Unit : mm

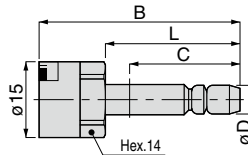
Model code	Tube O.D. ϕD	M	A	B	L	ϕP	Tube end C	G	Hex. H	Weight (g)	CAD file name
GPM 4	4	M12 × 1	16	39	17	16	15	5	14	12.5	CGP-001
GPM 6	6	M14 × 1	14	42.5	17	19	17	5	17	16	
GPM 8	8	M16 × 1	17	45.5	18	22	18.5	6	19	21.5	

GPJ Plug-in

RoHS compliant



MPa - metric model
psi - Inch model



Unit : mm

Model code	Tube dia. ϕD	B	L	C	Weight (g)	CAD file name
GPJ 4	4	36	23	15	8	CGP-001
GPJ 6	6	38	25	17	9.5	
GPJ 8	8	35	21	18.5	12.5	

⚠ Detailed Safety Instructions

Before using PISCO products, be sure to read "Safety Instructions" and "Safety Instruction Manual" and "Common Safety Instructions for Controllers".

Caution

1. The direction of gauge can be changed by tuning the hexagonal-column under a gauge with a proper tool. It may cause damage to the gauge or a pressure reading failure if turning a gauge cap itself.
2. Tolerance of regulator gauge is $\pm 5\%$ FS (free scale). In case further accuracy is required, use an accurate gauge in addition.