

To: Distributors  
 Attn: To Whom It May Concern  
 Date: Jul. 2024

## PPEG3/8-8 Appearance Design Change

We would like to express our sincere gratitude for your continued patronage.

This is to inform the appearance design change of PPEG3/8-8 in the Tube Fitting PP/SUS304 series due to a mold change. The change already implemented as written below.

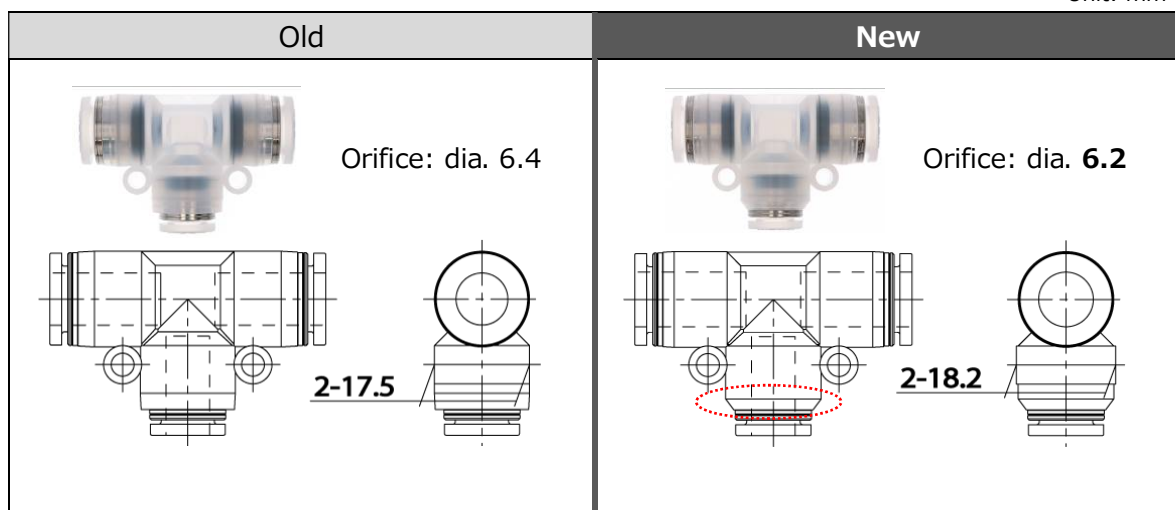
We would like to thank you for your understanding.

1. Subjected model: Tube Fitting PP/SUS304

Unequal Union Tee : PPEG3/8-8□ e.g : PPEG3/8-8, PPEG3/8-8-C

2. Change details: Change in appearance, mounting hole height and orifice diameter.

Unit: mm



\*No change in price and specifications.

3. Change implementation time: Has already started with orders received in May. 2024.

If you have any questions, feel free to contact PISCO.